

NOTES

1. WHEN THIS DRAWING IS USED AS AN ORDER SUBMITTAL, IT MUST BE SIGNED, AND AN ORDER SUBMITTAL FORM MUST BE INCLUDED.
2. 30 YEAR WARRANTY COVERAGE - SEE INTERCEPTOR LIMITED WARRANTY FOR DETAILS
3. OPTIONAL ACCESSORIES (LEVEL ALARMS, EXTENSION RISERS, STREET BOXES) ARE ALSO AVAILABLE.
4. INLET AND OUTLET PIPING DIAMETER IS 6" (MINIMUM) AND MUST BE INDICATED ON THE ORDER SUBMITTAL FORM.
5. ALL UPC LABELED GREASE INTERCEPTORS MUST SHIP FROM THE ANAHEIM FACILITY.

DESIGN PARAMETERS

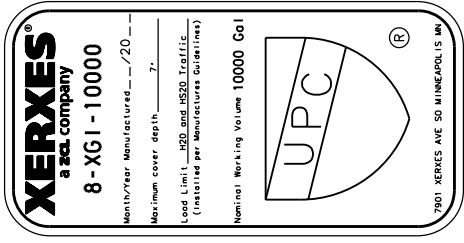
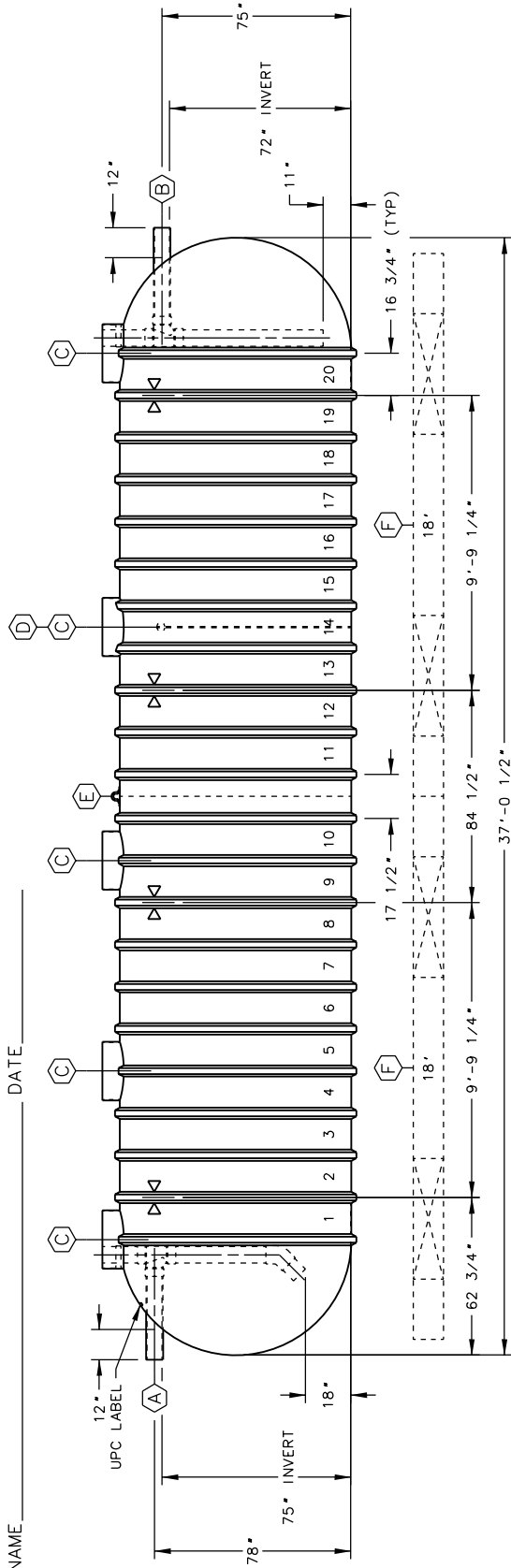
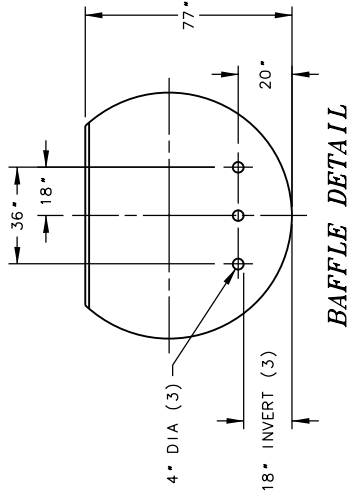
1. TANK SIZE: 8" DIA SINGLE-WALL, 92" O.D.
2. NOMINAL TANK CAPACITY: 12,000 GALLONS.
3. NOMINAL TANK WEIGHT: 5,100 LBS.
4. INVERT DIMENSION FROM TANK I.D.
5. CAPACITY AT FLOW LINE: 9994 GALLONS.
6. MAX GREASE CAPACITY: 8398 GALLONS.
7. MAX SOLIDS CAPACITY: 1186 GALLONS.

APPROVAL

THE UNDERSIGNED ACKNOWLEDGES AND AGREES TO THE USE AND DESIGN PARAMETERS AS DETAILED ON THIS DRAWING AND IN THE ACCOMPANYING ORDER SUBMITTAL FORM AND HEREBY APPROVES FABRICATION.

SIGNATURE _____ DATE _____

PRINTED NAME _____ DATE _____



ITEM	QTY	DESCRIPTION
(A)	1	SCH 40 PVC INLET PIPE WITH INTERNAL SANITARY TEE, PIPES & 45° ELBOW
(B)	1	SCH 40 PVC OUTLET PIPE WITH INTERNAL SANITARY TEE & PIPES
(C)	5	RISER PIPE, 23 3/8" O.D., FOR 24" (NOMINAL) ACCESS OPENING
(D)	1	77" HIGH PLATE BAFFLE WITH 3-4" DIA HOLES (18" INVERT)
(E)	1	LIFTING LUG
(F)	4	OPTIONAL 18" PREFABRICATED CONCRETE DEADMEN
(X)	4	HOLD DOWN STRAP LOCATION



XERXES
a zcl company

TITLE: **MODEL GI-8-10000-UPC GREASE INTERCEPTOR**

DATE: 1-17 DR. NO. S11-931.00

INDUSTRY TYPE: M210 PLUMBING ENGINEERED SOLUTIONS

NOTES

1. WHEN THIS DRAWING IS USED AS AN ORDER SUBMITTAL, IT MUST BE SIGNED, AND AN ORDER SUBMITTAL FORM MUST BE INCLUDED.
2. 30 YEAR WARRANTY COVERAGE - SEE INTERCEPTOR LIMITED WARRANTY FOR DETAILS
3. OPTIONAL ACCESSORIES (LEVEL ALARMS, EXTENSION RISERS, STREET BOXES) ARE ALSO AVAILABLE.
4. INLET AND OUTLET PIPING DIAMETER IS 6" (MINIMUM) AND MUST BE INDICATED ON THE ORDER SUBMITTAL FORM.
5. ALL UPC LABELED GREASE INTERCEPTORS MUST SHIP FROM THE ANAHEIM FACILITY.

DESIGN PARAMETERS

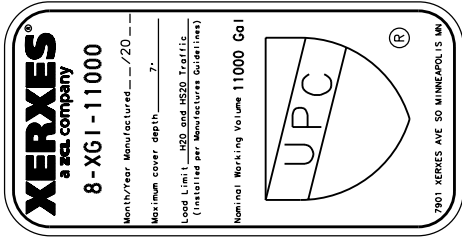
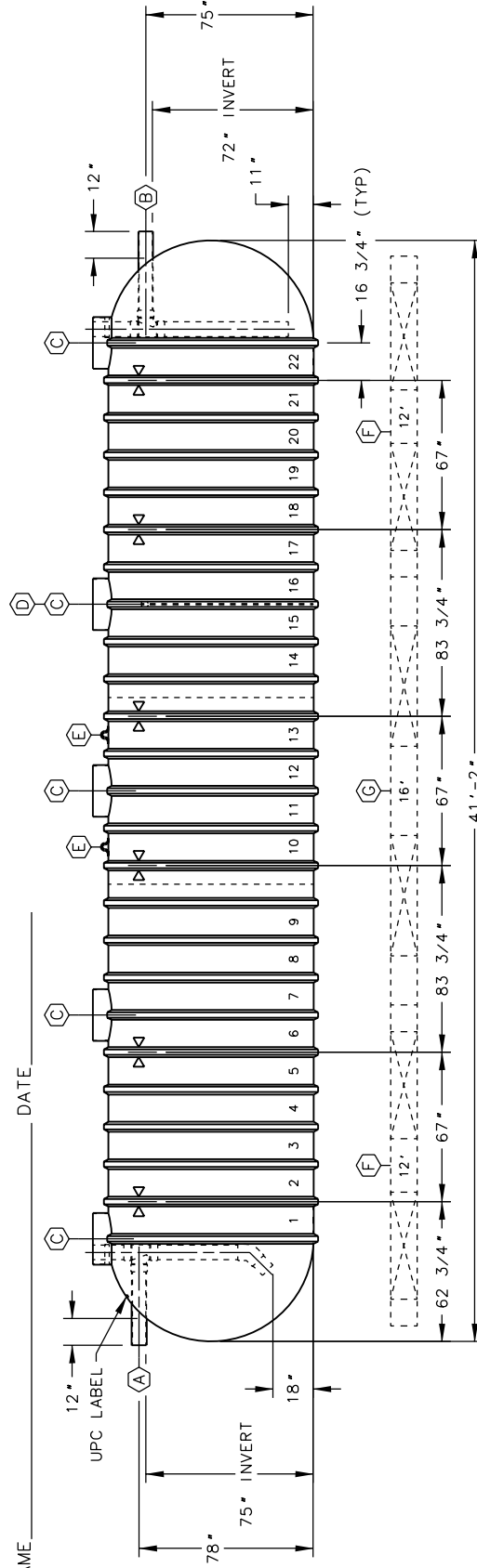
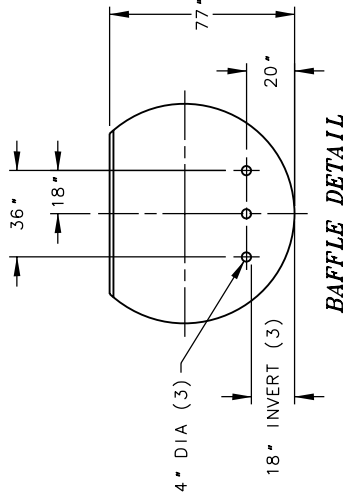
1. TANK SIZE: 8' DIA SINGLE-WALL, 92" O.D.
2. NOMINAL TANK CAPACITY: 13,000 GALLONS.
3. NOMINAL TANK WEIGHT: 5,600 LBS.
4. INVERT DIMENSION FROM TANK I.D.
5. CAPACITY AT FLOW LINE: 11183 GALLONS.
6. MAX GREASE CAPACITY: 9387 GALLONS.
7. MAX SOLIDS CAPACITY: 1335 GALLONS.

APPROVAL

THE UNDERSIGNED ACKNOWLEDGES AND AGREES TO THE USE AND DESIGN PARAMETERS AS DETAILED ON THIS DRAWING AND IN THE ACCOMPANYING ORDER SUBMITTAL FORM AND HEREBY APPROVES FABRICATION.

SIGNATURE _____ DATE _____

PRINTED NAME _____ DATE _____



ITEM	QTY	DESCRIPTION
(A)	1	SCH 40 PVC INLET PIPE WITH INTERNAL SANITARY TEE, PIPES & 45° ELBOW
(B)	1	SCH 40 PVC OUTLET PIPE WITH INTERNAL SANITARY TEE & PIPES
(C)	5	RISER PIPE, 23 3/8" O.D., FOR 24" (NOMINAL) ACCESS OPENING
(D)	1	77" HIGH PLATE BAFFLE WITH 3-4" DIA HOLES (18" INVERT)
(E)	2	LIFTING LUG
(F)	4	OPTIONAL 12' PREFABRICATED CONCRETE DEADMEN
(G)	2	OPTIONAL 16' PREFABRICATED CONCRETE DEADMEN
(X)	6	HOLD DOWN STRAP LOCATION



TITLE
**MODEL GI-8-11000-UPC
 GREASE INTERCEPTOR**

DATE 1-17 DR. NO. S11-932.00

INDUSTRY TYPE: M210 PLUMBING ENGINEERED SOLUTIONS

NOTES

1. WHEN THIS DRAWING IS USED AS AN ORDER SUBMITTAL, IT MUST BE SIGNED, AND AN ORDER SUBMITTAL FORM MUST BE INCLUDED.
2. 30 YEAR WARRANTY COVERAGE - SEE INTERCEPTOR LIMITED WARRANTY FOR DETAILS
3. OPTIONAL ACCESSORIES (LEVEL ALARMS, EXTENSION RISERS, STREET BOXES) ARE ALSO AVAILABLE.
4. INLET AND OUTLET PIPING DIAMETER IS 6" (MINIMUM) AND MUST BE INDICATED ON THE ORDER SUBMITTAL FORM.
5. ALL UPC LABELED GREASE INTERCEPTORS MUST SHIP FROM THE ANAHEIM FACILITY.

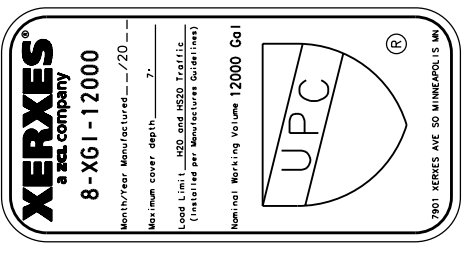
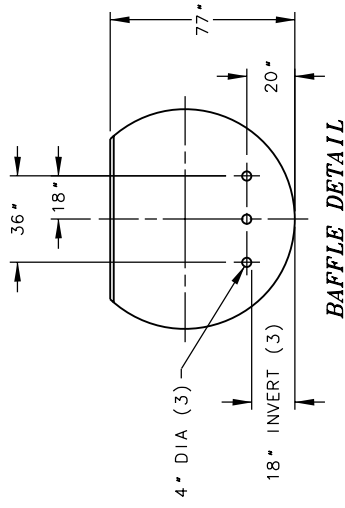
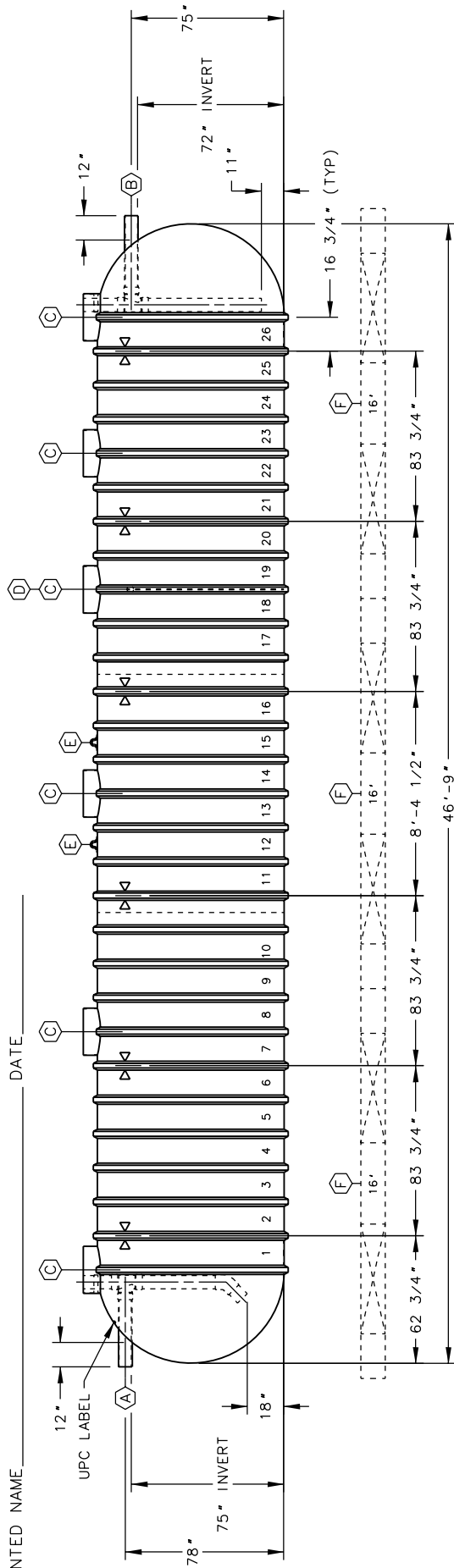
DESIGN PARAMETERS

1. TANK SIZE: 8' DIA SINGLE-WALL, 92" O.D.
2. NOMINAL TANK CAPACITY: 15,000 GALLONS.
3. NOMINAL TANK WEIGHT: 6,600 LBS.
4. INVERT DIMENSION FROM TANK I.D.
5. CAPACITY AT FLOW LINE: 12793 GALLONS.
6. MAX GREASE CAPACITY: 10727 GALLONS.
7. MAX SOLIDS CAPACITY: 1537 GALLONS.

APPROVAL

THE UNDERSIGNED ACKNOWLEDGES AND AGREES TO THE USE AND DESIGN PARAMETERS AS DETAILED ON THIS DRAWING AND IN THE ACCOMPANYING ORDER SUBMITTAL FORM AND HEREBY APPROVES FABRICATION.

SIGNATURE _____ DATE _____



ITEM	QTY	DESCRIPTION
(A)	1	SCH 40 PVC INLET PIPE WITH INTERNAL SANITARY TEE, PIPES & 45° ELBOW
(B)	1	SCH 40 PVC OUTLET PIPE WITH INTERNAL SANITARY TEE & PIPES
(C)	6	RISER PIPE, 23 3/8" O.D., FOR 24" (NOMINAL) ACCESS OPENING
(D)	1	77" HIGH PLATE BAFFLE WITH 3-4"DIA HOLES (18" INVERT)
(E)	2	LIFTING LUG
(F)	6	OPTIONAL 16" PREFABRICATED CONCRETE DEADMEN
(X)	6	HOLD DOWN STRAP LOCATION

XERXES
a zcl company

TITLE
**MODEL GI-8-12000-UPC
GREASE INTERCEPTOR**

DATE 1-17 DR. NO. S11-933.00

INDUSTRY TYPE: M210 PLUMBING ENGINEERED SOLUTIONS

NOTES

1. WHEN THIS DRAWING IS USED AS AN ORDER SUBMITTAL, IT MUST BE SIGNED, AND AN ORDER SUBMITTAL FORM MUST BE INCLUDED.
2. 30 YEAR WARRANTY COVERAGE - SEE INTERCEPTOR LIMITED WARRANTY FOR DETAILS
3. OPTIONAL ACCESSORIES (LEVEL ALARMS, EXTENSION RISERS, STREET BOXES) ARE ALSO AVAILABLE.
4. INLET AND OUTLET PIPING DIAMETER IS 6" (MINIMUM) AND MUST BE INDICATED ON THE ORDER SUBMITTAL FORM.
5. ALL UPC LABELED GREASE INTERCEPTORS MUST SHIP FROM THE ANAHEIM FACILITY.

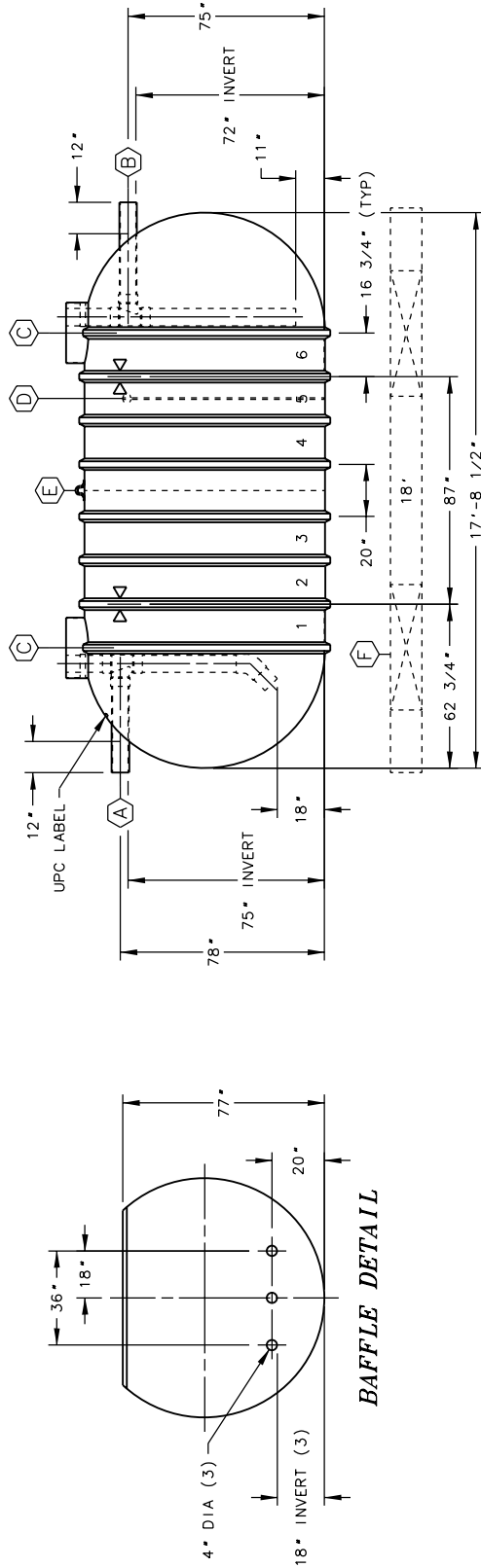
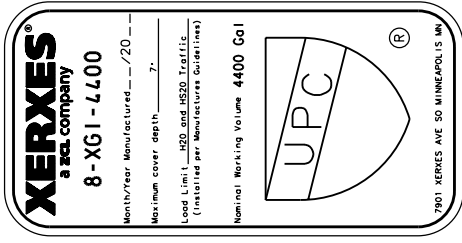
DESIGN PARAMETERS

1. TANK SIZE: 8' DIA SINGLE-WALL, 92" O.D.
2. NOMINAL TANK CAPACITY: 5,000 GALLONS.
3. NOMINAL TANK WEIGHT: 2,200 LBS.
4. INVERT DIMENSION FROM TANK I.D.
5. CAPACITY AT FLOW LINE: 4421 GALLONS.
6. MAX GREASE CAPACITY: 3759 GALLONS.
7. MAX SOLIDS CAPACITY: 487 GALLONS.

APPROVAL

THE UNDERSIGNED ACKNOWLEDGES AND AGREES TO THE USE AND DESIGN PARAMETERS AS DETAILED ON THIS DRAWING AND IN THE ACCOMPANYING ORDER SUBMITTAL FORM AND HEREBY APPROVES FABRICATION.

SIGNATURE _____ DATE _____
 PRINTED NAME _____



ITEM	QTY	DESCRIPTION
(A)	1	SCH 40 PVC INLET PIPE WITH INTERNAL SANITARY TEE, PIPES & 45° ELBOW
(B)	1	SCH 40 PVC OUTLET PIPE WITH INTERNAL SANITARY TEE & PIPES
(C)	2	RISER PIPE, 23 3/8" O.D., FOR 24" (NOMINAL) ACCESS OPENING
(D)	1	77" HIGH PLATE BAFFLE WITH 3-4" DIA HOLES (18" INVERT)
(E)	1	LIFTING LUG
(F)	2	OPTIONAL 18" PREFABRICATED CONCRETE DEADMEN
∞	2	HOLD DOWN STRAP LOCATION



TITLE
**MODEL GI-8-4400-UPC
 GREASE INTERCEPTOR**

DATE 1-17 DR. NO. S11-924.00

INDUSTRY TYPE: M210 PLUMBING ENGINEERED SOLUTIONS

NOTES

1. WHEN THIS DRAWING IS USED AS AN ORDER SUBMITTAL, IT MUST BE SIGNED, AND AN ORDER SUBMITTAL FORM MUST BE INCLUDED.
2. 30 YEAR WARRANTY COVERAGE - SEE INTERCEPTOR LIMITED WARRANTY FOR DETAILS
3. OPTIONAL ACCESSORIES (LEVEL ALARMS, EXTENSION RISERS, STREET BOXES) ARE ALSO AVAILABLE.
4. INLET AND OUTLET PIPING DIAMETER IS 6" (MINIMUM) AND MUST BE INDICATED ON THE ORDER SUBMITTAL FORM.
5. ALL UPC LABELED GREASE INTERCEPTORS MUST SHIP FROM THE ANAHEIM FACILITY.

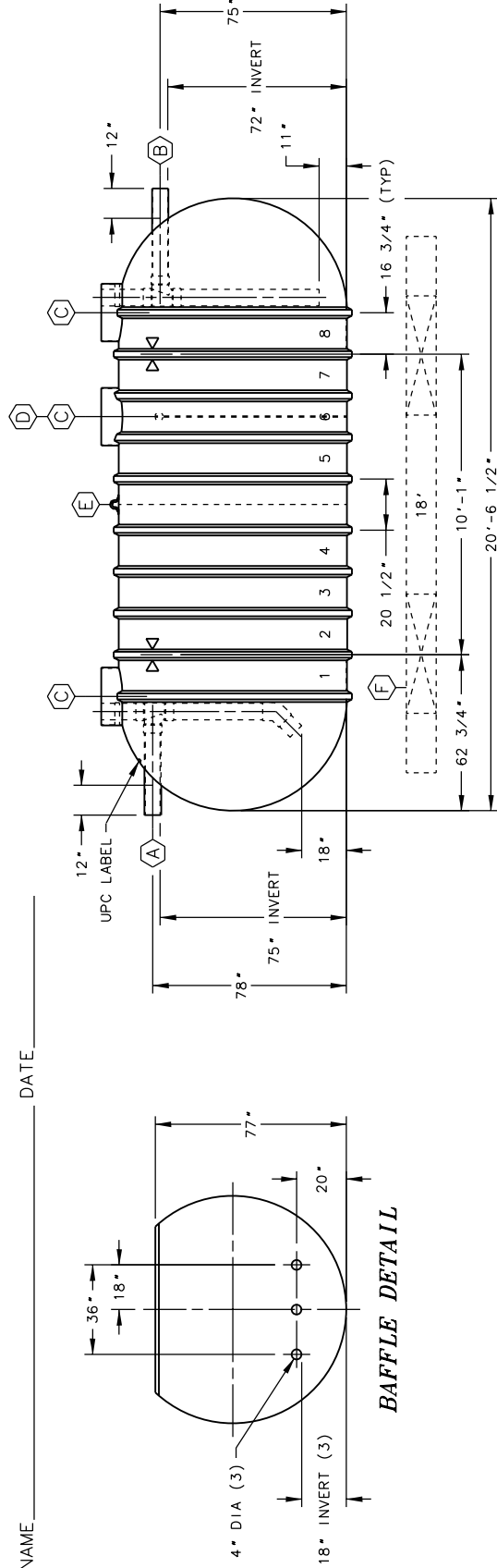
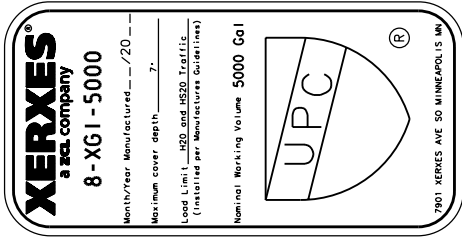
DESIGN PARAMETERS

1. TANK SIZE: 8' DIA SINGLE-WALL, 92" O.D.
2. NOMINAL TANK CAPACITY: 6,000 GALLONS.
3. NOMINAL TANK WEIGHT: 2,600 LBS.
4. INVERT DIMENSION FROM TANK I.D.
5. CAPACITY AT FLOW LINE: 5237 GALLONS.
6. MAX GREASE CAPACITY: 4439 GALLONS.
7. MAX SOLIDS CAPACITY: 589 GALLONS.

APPROVAL

THE UNDERSIGNED ACKNOWLEDGES AND AGREES TO THE USE AND DESIGN PARAMETERS AS DETAILED ON THIS DRAWING AND IN THE ACCOMPANYING ORDER SUBMITTAL FORM AND HEREBY APPROVES FABRICATION.

SIGNATURE _____ DATE _____
 PRINTED NAME _____



ITEM	QTY	DESCRIPTION
(A)	1	SCH 40 PVC INLET PIPE WITH INTERNAL SANITARY TEE, PIPES & 45° ELBOW
(B)	1	SCH 40 PVC OUTLET PIPE WITH INTERNAL SANITARY TEE & PIPES
(C)	3	RISER PIPE, 23 3/8" O.D., FOR 24" (NOMINAL) ACCESS OPENING
(D)	1	77" HIGH PLATE BAFFLE WITH 3-4" DIA HOLES (18" INVERT)
(E)	1	LIFTING LUG
(F)	2	OPTIONAL 18" PREFABRICATED CONCRETE DEADMEN
(X)	2	HOLD DOWN STRAP LOCATION

XERXES
a zcl company

TITLE: **MODEL GI-8-5000-UPC GREASE INTERCEPTOR**

DATE: 1-17 DR. NO. S11-925.00

INDUSTRY TYPE: M210 PLUMBING ENGINEERED SOLUTIONS

NOTES

1. WHEN THIS DRAWING IS USED AS AN ORDER SUBMITTAL, IT MUST BE SIGNED, AND AN ORDER SUBMITTAL FORM MUST BE INCLUDED.
2. 30 YEAR WARRANTY COVERAGE - SEE INTERCEPTOR LIMITED WARRANTY FOR DETAILS
3. OPTIONAL ACCESSORIES (LEVEL ALARMS, EXTENSION RISERS, STREET BOXES) ARE ALSO AVAILABLE.
4. INLET AND OUTLET PIPING DIAMETER IS 6" (MINIMUM) AND MUST BE INDICATED ON THE ORDER SUBMITTAL FORM.
5. ALL UPC LABELED GREASE INTERCEPTORS MUST SHIP FROM THE ANAHEIM FACILITY.

DESIGN PARAMETERS

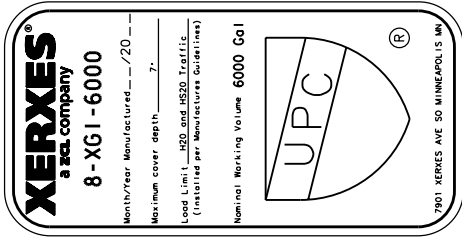
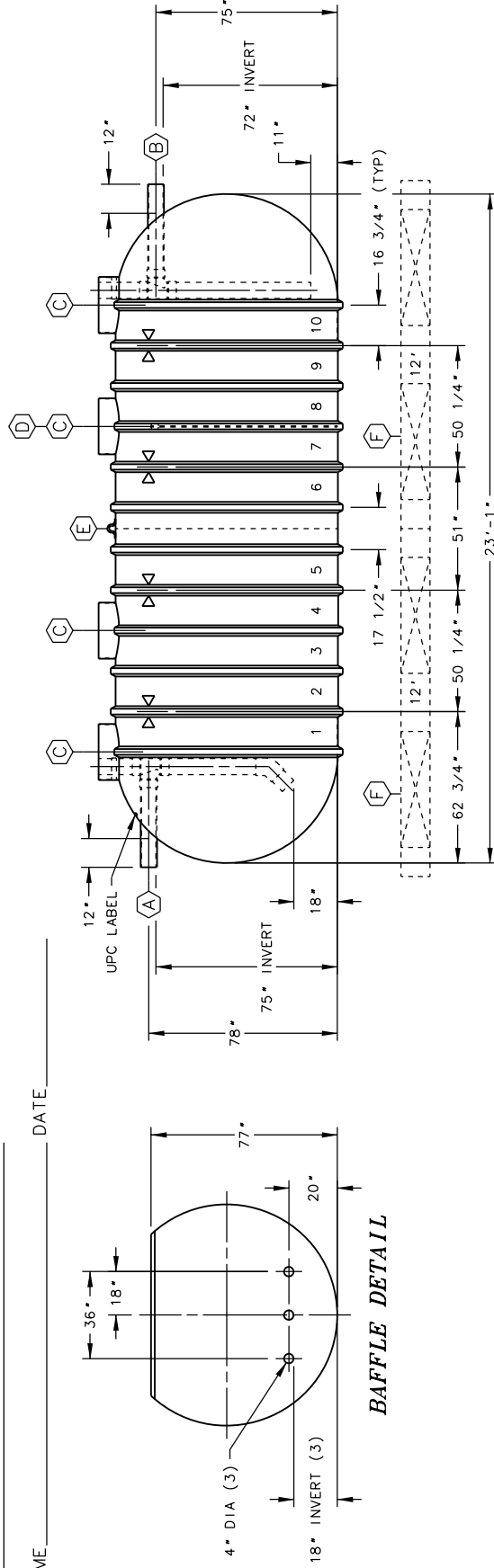
1. TANK SIZE: 8' DIA SINGLE-WALL, 92" O.D.
2. NOMINAL TANK CAPACITY: 7,000 GALLONS.
3. NOMINAL TANK WEIGHT: 3,000 LBS.
4. INVERT DIMENSION FROM TANK I.D.
5. CAPACITY AT FLOW LINE: 5970 GALLONS.
6. MAX GREASE CAPACITY: 5049 GALLONS.
7. MAX SOLIDS CAPACITY: 681 GALLONS.

APPROVAL

THE UNDERSIGNED ACKNOWLEDGES AND AGREES TO THE USE AND DESIGN PARAMETERS AS DETAILED ON THIS DRAWING AND IN THE ACCOMPANYING ORDER SUBMITTAL FORM AND HEREBY APPROVES FABRICATION.

SIGNATURE _____ DATE _____

PRINTED NAME _____ DATE _____



ITEM	QTY	DESCRIPTION
(A)	1	SCH 40 PVC INLET PIPE WITH INTERNAL SANITARY TEE, PIPES & 45° ELBOW
(B)	1	SCH 40 PVC OUTLET PIPE WITH INTERNAL SANITARY TEE & PIPES
(C)	4	RISER PIPE, 23 3/8" O.D., FOR 24" (NOMINAL) ACCESS OPENING
(D)	1	77" HIGH PLATE BAFFLE WITH 3-4" DIA HOLES (18" INVERT)
(E)	1	LIFTING LUG
(F)	4	OPTIONAL 12" PREFABRICATED CONCRETE DEADMEN
(X)	4	HOLD DOWN STRAP LOCATION

XERXES
a zcl company

TITLE
**MODEL GI-8-6000-UPC
GREASE INTERCEPTOR**

DATE 1-17 DR. NO. S11-926.00

INDUSTRY TYPE: M210 PLUMBING ENGINEERED SOLUTIONS

NOTES

1. WHEN THIS DRAWING IS USED AS AN ORDER SUBMITTAL, IT MUST BE SIGNED, AND AN ORDER SUBMITTAL FORM MUST BE INCLUDED.
2. 30 YEAR WARRANTY COVERAGE - SEE INTERCEPTOR LIMITED WARRANTY FOR DETAILS
3. OPTIONAL ACCESSORIES (LEVEL ALARMS, EXTENSION RISERS, STREET BOXES) ARE ALSO AVAILABLE.
4. INLET AND OUTLET PIPING DIAMETER IS 6" (MINIMUM) AND MUST BE INDICATED ON THE ORDER SUBMITTAL FORM.
5. ALL UPC LABELED GREASE INTERCEPTORS MUST SHIP FROM THE ANAHEIM FACILITY.

DESIGN PARAMETERS

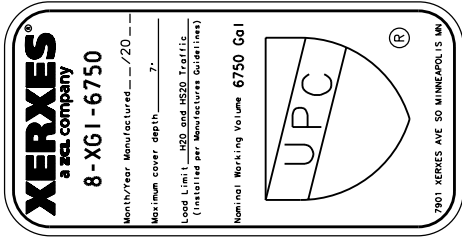
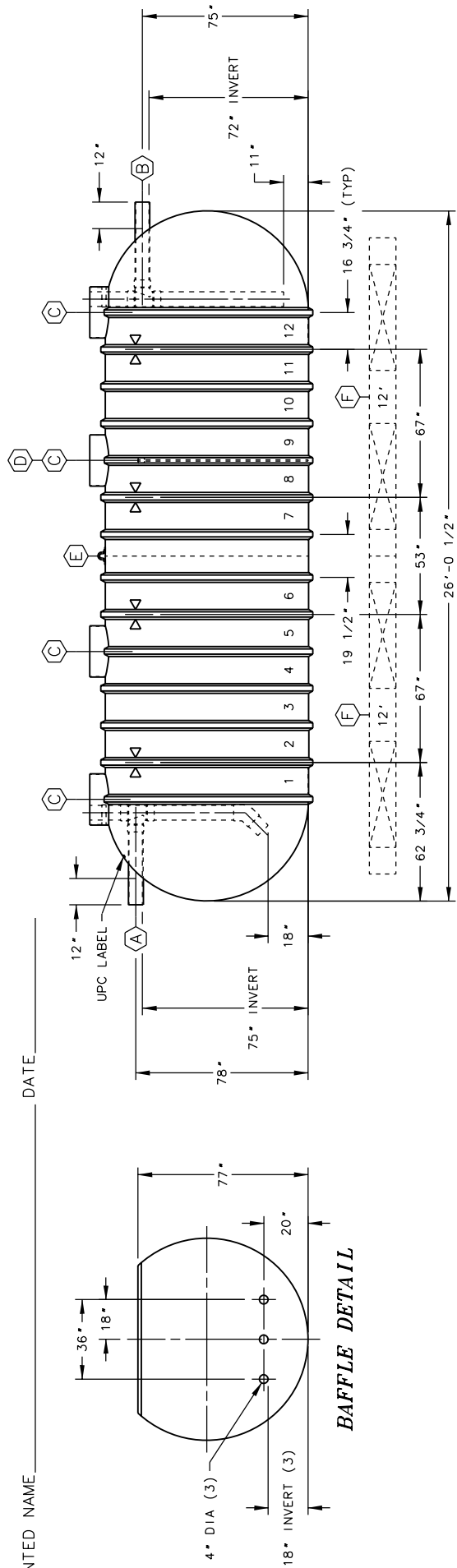
1. TANK SIZE: 8' DIA SINGLE-WALL, 92" O.D.
2. NOMINAL TANK CAPACITY: 8,000 GALLONS.
3. NOMINAL TANK WEIGHT: 3,400 LBS.
4. INVERT DIMENSION FROM TANK I.D.
5. CAPACITY AT FLOW LINE: 6823 GALLONS.
6. MAX GREASE CAPACITY: 5758 GALLONS.
7. MAX SOLIDS CAPACITY: 788 GALLONS.

APPROVAL

THE UNDERSIGNED ACKNOWLEDGES AND AGREES TO THE USE AND DESIGN PARAMETERS AS DETAILED ON THIS DRAWING AND IN THE ACCOMPANYING ORDER SUBMITTAL FORM AND HEREBY APPROVES FABRICATION.

SIGNATURE _____ DATE _____

PRINTED NAME _____ DATE _____



ITEM	QTY	DESCRIPTION
(A)	1	SCH 40 PVC INLET PIPE WITH INTERNAL SANITARY TEE, PIPES & 45° ELBOW
(B)	1	SCH 40 PVC OUTLET PIPE WITH INTERNAL SANITARY TEE & PIPES
(C)	4	RISER PIPE, 23 3/8" O.D., FOR 24" (NOMINAL) ACCESS OPENING
(D)	1	77" HIGH PLATE BAFFLE WITH 3-4" DIA HOLES (18" INVERT)
(E)	1	LIFTING LUG
(F)	4	OPTIONAL 12" PREFABRICATED CONCRETE DEADMEN
(X)	4	HOLD DOWN STRAP LOCATION

XERXES
a zcl company

TITLE
**MODEL GI-8-6750-UPC
GREASE INTERCEPTOR**

DATE 1-17 DR. NO. S11-927.00

INDUSTRY TYPE: M210 PLUMBING ENGINEERED SOLUTIONS

NOTES

1. WHEN THIS DRAWING IS USED AS AN ORDER SUBMITTAL, IT MUST BE SIGNED, AND AN ORDER SUBMITTAL FORM MUST BE INCLUDED.
2. 30 YEAR WARRANTY COVERAGE - SEE INTERCEPTOR LIMITED WARRANTY FOR DETAILS
3. OPTIONAL ACCESSORIES (LEVEL ALARMS, EXTENSION RISERS, STREET BOXES) ARE ALSO AVAILABLE.
4. INLET AND OUTLET PIPING DIAMETER IS 6" (MINIMUM) AND MUST BE INDICATED ON THE ORDER SUBMITTAL FORM.
5. ALL UPC LABELED GREASE INTERCEPTORS MUST SHIP FROM THE ANAHEIM FACILITY.

DESIGN PARAMETERS

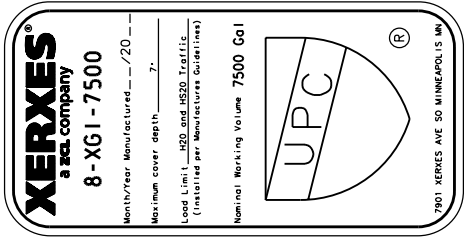
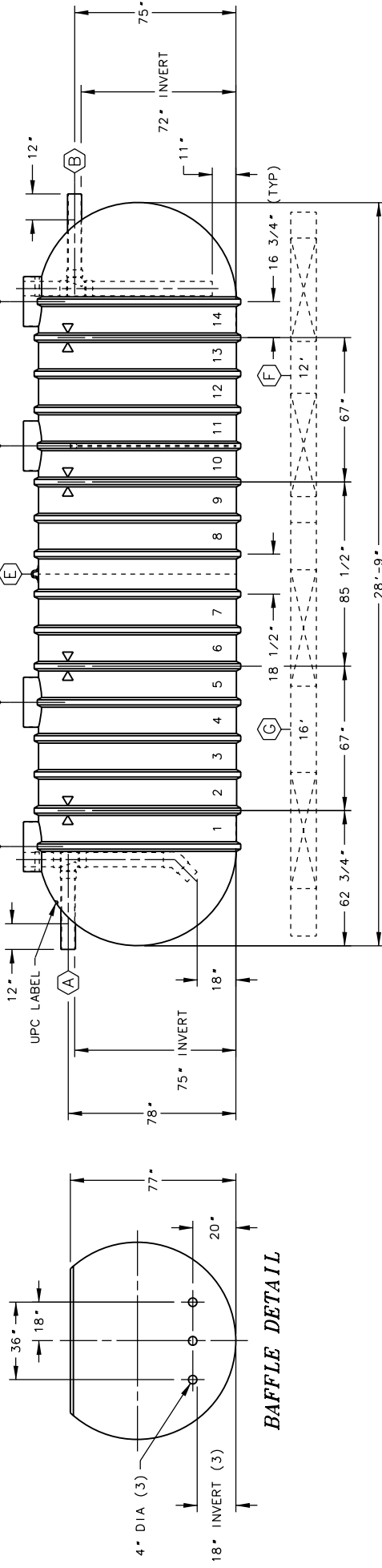
1. TANK SIZE: 8' DIA SINGLE-WALL, 92" O.D.
2. NOMINAL TANK CAPACITY: 9,000 GALLONS.
3. NOMINAL TANK WEIGHT: 3,800 LBS.
4. INVERT DIMENSION FROM TANK I.D.
5. CAPACITY AT FLOW LINE: 7604 GALLONS.
6. MAX GREASE CAPACITY: 6408 GALLONS.
7. MAX SOLIDS CAPACITY: 886 GALLONS.

APPROVAL

THE UNDERSIGNED ACKNOWLEDGES AND AGREES TO THE USE AND DESIGN PARAMETERS AS DETAILED ON THIS DRAWING AND IN THE ACCOMPANYING ORDER SUBMITTAL FORM AND HEREBY APPROVES FABRICATION.

SIGNATURE _____ DATE _____

PRINTED NAME _____ DATE _____



ITEM	QTY	DESCRIPTION
(A)	1	SCH 40 PVC INLET PIPE WITH INTERNAL SANITARY TEE, PIPES & 45° ELBOW
(B)	1	SCH 40 PVC OUTLET PIPE WITH INTERNAL SANITARY TEE & PIPES
(C)	2	RISER PIPE, 23 3/8" O.D., FOR 24" (NOMINAL) ACCESS OPENING
(D)	1	77" HIGH PLATE BAFFLE WITH 3-4" DIA HOLES (18" INVERT)
(E)	1	LIFTING LUG
(F)	2	OPTIONAL 12' PREFABRICATED CONCRETE DEADMEN
(G)	2	OPTIONAL 16' PREFABRICATED CONCRETE DEADMEN
(X)	4	HOLD DOWN STRAP LOCATION



TITLE
**MODEL GI-8-7500-UPC
 GREASE INTERCEPTOR**

DATE 1-17 DR. NO. S11-928.00

INDUSTRY TYPE: M210 PLUMBING ENGINEERED SOLUTIONS

NOTES

1. WHEN THIS DRAWING IS USED AS AN ORDER SUBMITTAL, IT MUST BE SIGNED, AND AN ORDER SUBMITTAL FORM MUST BE INCLUDED.
2. 30 YEAR WARRANTY COVERAGE - SEE INTERCEPTOR LIMITED WARRANTY FOR DETAILS
3. OPTIONAL ACCESSORIES (LEVEL ALARMS, EXTENSION RISERS, STREET BOXES) ARE ALSO AVAILABLE.
4. INLET AND OUTLET PIPING DIAMETER IS 6" (MINIMUM) AND MUST BE INDICATED ON THE ORDER SUBMITTAL FORM.
5. ALL UPC LABELED GREASE INTERCEPTORS MUST SHIP FROM THE ANAHEIM FACILITY.

DESIGN PARAMETERS

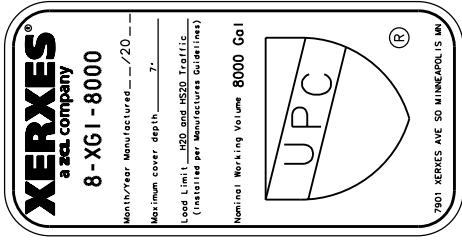
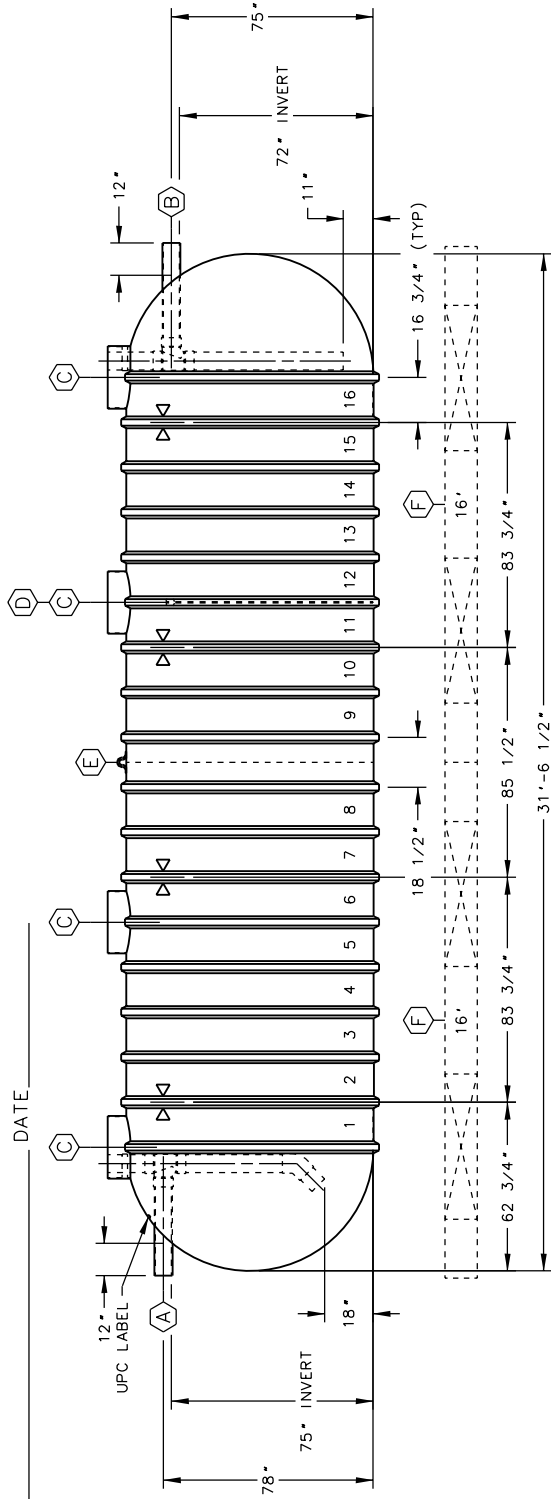
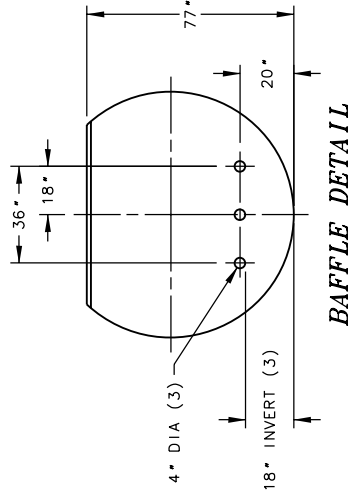
1. TANK SIZE: 8' DIA SINGLE-WALL, 92" O.D.
2. NOMINAL TANK CAPACITY: 10,000 GALLONS.
3. NOMINAL TANK WEIGHT: 4,200 LBS.
4. INVERT DIMENSION FROM TANK I.D.
5. CAPACITY AT FLOW LINE: 8408 GALLONS.
6. MAX GREASE CAPACITY: 7078 GALLONS.
7. MAX SOLIDS CAPACITY: 987 GALLONS.

APPROVAL

THE UNDERSIGNED ACKNOWLEDGES AND AGREES TO THE USE AND DESIGN PARAMETERS AS DETAILED ON THIS DRAWING AND IN THE ACCOMPANYING ORDER SUBMITTAL FORM AND HEREBY APPROVES FABRICATION.

SIGNATURE _____ DATE _____

PRINTED NAME _____ DATE _____



XERXES
a zcl company

**MODEL G1-8-8000-UPC
GREASE INTERCEPTOR**

TITLE

DATE 1-17 DR. NO. S11-929.00

INDUSTRY TYPE: M210 PLUMBING ENGINEERED SOLUTIONS

ITEM	QTY	DESCRIPTION
(A)	1	SCH 40 PVC INLET PIPE WITH INTERNAL SANITARY TEE, PIPES & 45° ELBOW
(B)	1	SCH 40 PVC OUTLET PIPE WITH INTERNAL SANITARY TEE & PIPES
(C)	4	RISER PIPE, 23 3/8" O.D., FOR 24" (NOMINAL) ACCESS OPENING
(D)	1	77" HIGH PLATE BAFFLE WITH 3-4" DIA HOLES (18" INVERT)
(E)	1	LIFTING LUG
(F)	4	OPTIONAL 16" PREFABRICATED CONCRETE DEADMEN
(X)	4	HOLD DOWN STRAP LOCATION

NOTES

1. WHEN THIS DRAWING IS USED AS AN ORDER SUBMITTAL, IT MUST BE SIGNED, AND AN ORDER SUBMITTAL FORM MUST BE INCLUDED.
2. 30 YEAR WARRANTY COVERAGE - SEE INTERCEPTOR LIMITED WARRANTY FOR DETAILS
3. OPTIONAL ACCESSORIES (LEVEL ALARMS, EXTENSION RISERS, STREET BOXES) ARE ALSO AVAILABLE.
4. INLET AND OUTLET PIPING DIAMETER IS 6" (MINIMUM) AND MUST BE INDICATED ON THE ORDER SUBMITTAL FORM.
5. ALL UPC LABELED GREASE INTERCEPTORS MUST SHIP FROM THE ANAHEIM FACILITY.

DESIGN PARAMETERS

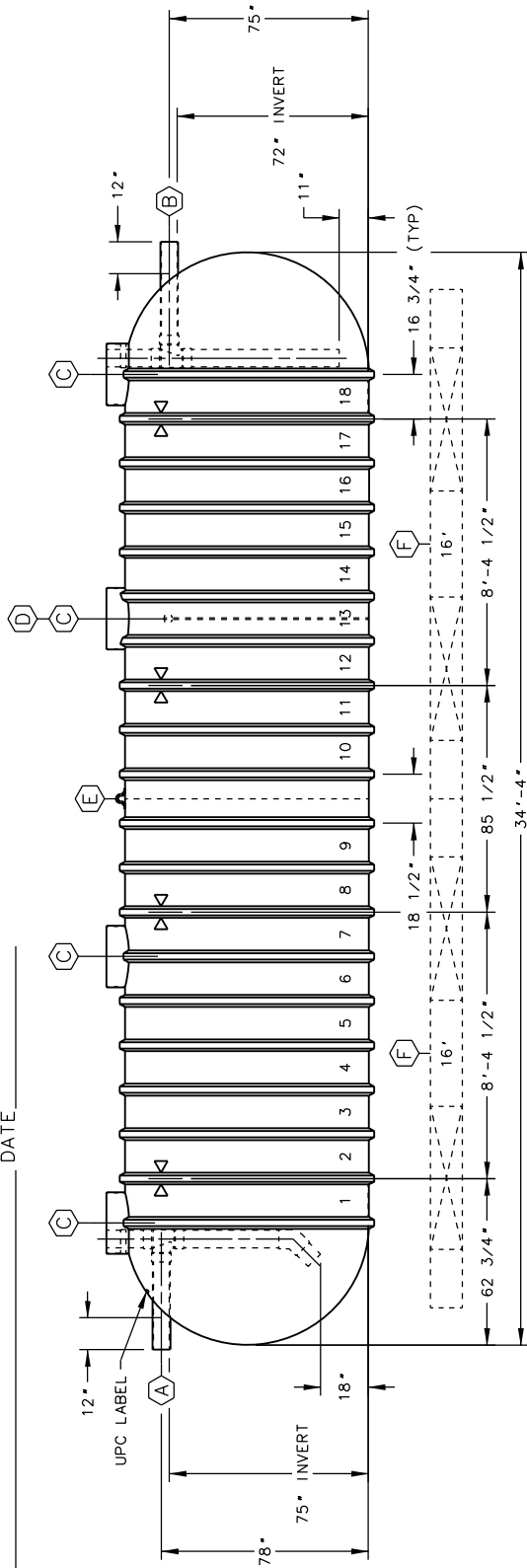
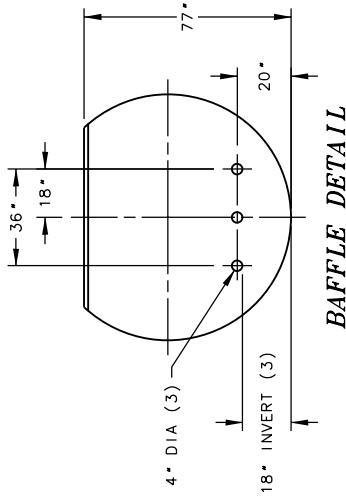
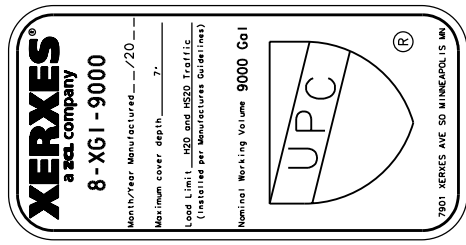
1. TANK SIZE: 8' DIA SINGLE-WALL, 92" O.D.
2. NOMINAL TANK CAPACITY: 11,000 GALLONS.
3. NOMINAL TANK WEIGHT: 4,700 LBS.
4. INVERT DIMENSION FROM TANK I.D.
5. CAPACITY AT FLOW LINE: 9213 GALLONS.
6. MAX GREASE CAPACITY: 7748 GALLONS.
7. MAX SOLIDS CAPACITY: 1088 GALLONS.

APPROVAL

THE UNDERSIGNED ACKNOWLEDGES AND AGREES TO THE USE AND DESIGN PARAMETERS AS DETAILED ON THIS DRAWING AND IN THE ACCOMPANYING ORDER SUBMITTAL FORM AND HEREBY APPROVES FABRICATION.

SIGNATURE _____ DATE _____

PRINTED NAME _____ DATE _____



ITEM	QTY	DESCRIPTION
A	1	SCH 40 PVC INLET PIPE WITH INTERNAL SANITARY TEE, PIPES & 45° ELBOW
B	1	SCH 40 PVC OUTLET PIPE WITH INTERNAL SANITARY TEE & PIPES
C	4	RISER PIPE, 23 3/8" O.D., FOR 24" (NOMINAL) ACCESS OPENING
D	1	77" HIGH PLATE BAFFLE WITH 3-4" DIA HOLES (18" INVERT)
E	1	LIFTING LUG
F	4	OPTIONAL 16" PREFABRICATED CONCRETE DEADMEN
X	4	HOLD DOWN STRAP LOCATION

XERXES
a zcl company

TITLE
**MODEL G1-8-9000-UPC
GREASE INTERCEPTOR**

DATE 1-17 DR. NO. S11-930.00

INDUSTRY TYPE: M210 PLUMBING ENGINEERED SOLUTIONS